

# EB100-KU

ULT

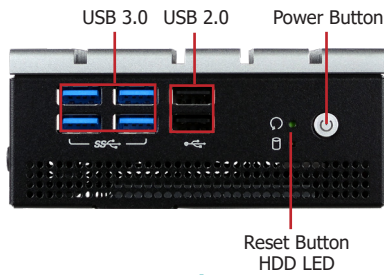


## Features

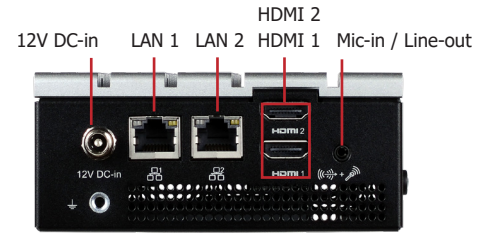
- Supports DDR4 SODIMM up to 32GB
- HDMI resolution supports up to 4096x2304 @ 24Hz
- 1x 2.5" SATA 3.0 drive bay
- Rich I/O connectivity: 2 GbE, 4 USB 3.0, 2 USB 2.0
- Supports 1 Mini PCIe and 1 M.2 slots



## Panel

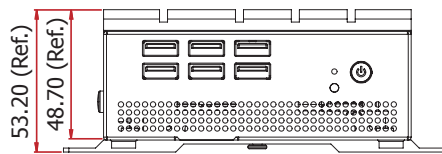


Front View

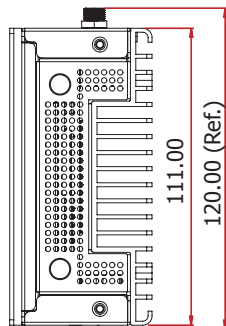


Rear View

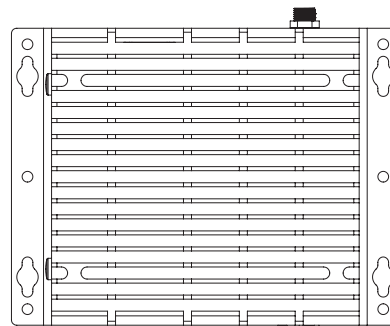
## Dimensions



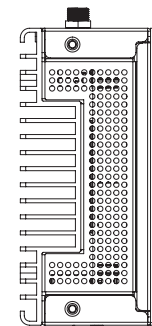
Front View



Left View



Rear View

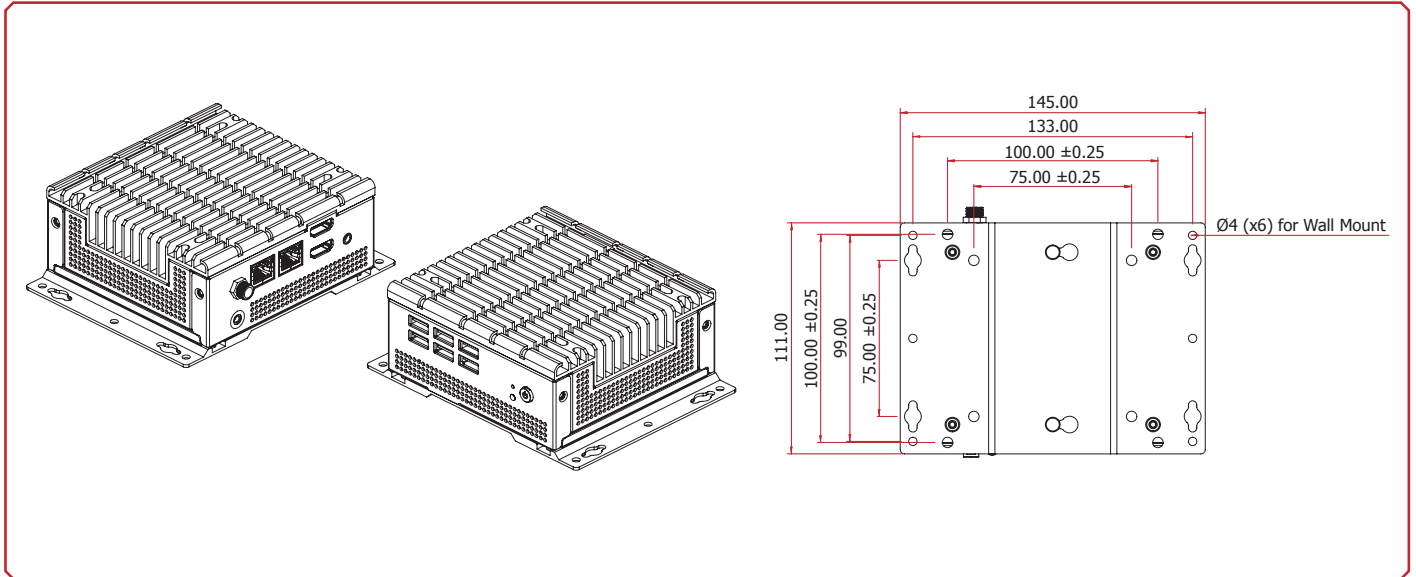


Right View

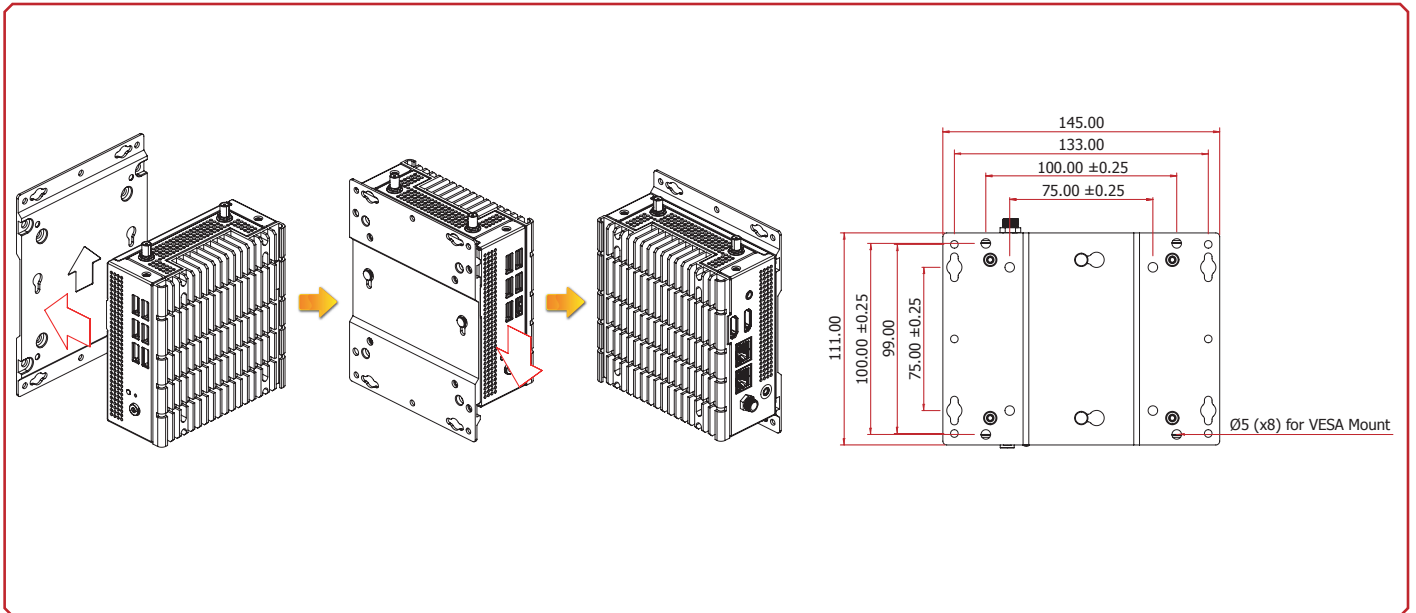
## ► Specifications

<b>SYSTEM</b>	<b>Processor</b>	7th Generation Intel® Core™ Processors, BGA 1356 Intel® Core™ i7-7600U Processor, Dual Core, 4M Cache, 2.8GHz (3.9GHz), 15W Intel® Core™ i5-7300U Processor, Dual Core, 3M Cache, 2.6GHz (3.5GHz), 15W Intel® Core™ i3-7100U Processor, Dual Core, 3M Cache, 2.4GHz, 15W
	<b>Memory</b>	Two 260-pin SODIMM up to 32GB Dual Channel DDR4 1866/2133MHz
	<b>BIOS</b>	Insyde SPI 128Mbit
	<b>GRAPHICS</b>	<b>Controller</b> Intel® HD Graphics
	<b>Display</b>	2 x HDMI HDMI: resolution up to 2560x1600 @ 60Hz or 4096x2304 @ 24Hz
	<b>Dual Displays</b>	HDMI
<b>STORAGE</b>	<b>Internal</b>	1 x 2.5" SATA 3.0 Drive Bay
<b>EXPANSION</b>	<b>Interface</b>	1 x Half-size Mini PCIe socket (PCIe/USB 2.0) 1 x M.2 M Key 2280 (Support SATA signal only)
	<b>ETHERNET</b>	<b>Controller</b> 1 x Intel® I210AT (10/100/1000Mbps) 1 x Intel® I219LM (10/100/1000Mbps)
<b>LED</b>	<b>Indicators</b>	1 x Power LED 1 x Storage LED
	<b>FRONT I/O</b>	<b>USB</b>
<b>Buttons</b>		1 x Power Button 1 x Reset Button
<b>Wi-Fi Antenna</b>		2 x Antenna Hole
<b>REAR I/O</b>	<b>Ethernet</b>	2 x GbE (RJ-45)
	<b>Display</b>	2 x HDMI
	<b>Audio</b>	1 x Line-out 1 x Mic-in
	<b>POWER</b>	<b>Type</b> 12V DC in <b>Connector</b> DC Jack
<b>OS SUPPORT</b>		Windows 10 IoT Enterprise LTSB 64 Bit
<b>MECHANISM</b>	<b>Construction</b>	Metal + Aluminum
	<b>Mounting</b>	Wall/VESA Mount
	<b>Dimensions (W x H x D)</b>	115mm x 48.7mm x 111mm
	<b>Weight</b>	< 1Kg
<b>ENVIRONMENT</b>	<b>Operating Temperature</b>	0 to 40°C
	<b>Storage Temperature</b>	-20 to 85°C
	<b>Relative Humidity</b>	5 to 95% RH (non-condensing)
<b>STANDARDS AND CERTIFICATIONS</b>	<b>Shock</b>	Half sine wave 3G, 11ms, 3 shock per axis
	<b>Vibration</b>	IEC68-2-64
	<b>Certification</b>	CE, FCC Class A, RoHS, UL

► Wall Mounting



► VESA Mounting



**▶ Ordering Information**

Model Name	Part Number	Description
<b>EB100-KU0061-73</b>	750-EB1000-000G	Fanless, i5-7300U, 4 USB3.0, 2 USB2.0, 2 LAN, 2 HDMI, 1 Audio (Line out & Mic in), 1 M.2 (2280), 1 mini-PCIe(half size) RAM, F/G SYSTEM RoHS
<b>EB100-KU0061-76</b>	750-EB1000-100G	Fanless, i7-7600U, 4 USB3.0, 2 USB2.0, 2 LAN, 2 HDMI, 1 Audio (Line out & Mic in), 1 M.2 (2280), 1 mini-PCIe(half size) RAM, F/G SYSTEM RoHS