

Mini-ITX Series

VIA

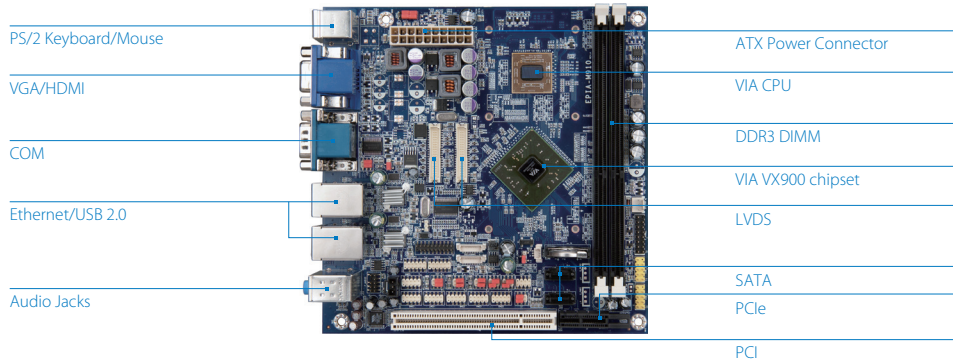
EPIA-M910

Highly-integrated Mini-ITX board with rich feature set and multiple expansion options

Features

- Compact 17cm x 17cm Mini-ITX form factor
- 1.2GHz VIA QuadCore E-Series/1.6GHz VIA Nano® X2 E-Series processor
- Fanless 1.0GHz VIA Eden® X2 processor option
- DX9 graphics with MPEG-2/WMV9/VC-1/H.264 decoding acceleration
- Rich feature set

Board Placement

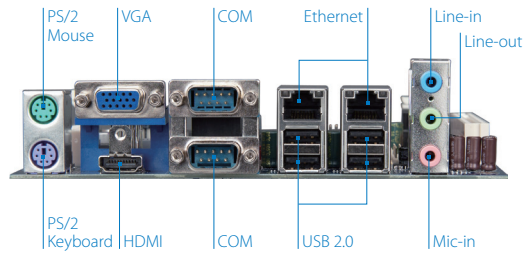


Specifications

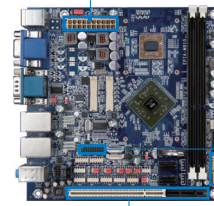
| Model Name | EPIA-M910-12Q/PQ | EPIA-M910-16/P | EPIA-M910-10E/PE |
|---|---|---|-------------------------------|
| Processor | 1.2GHz VIA QuadCore E-Series (with fan) | 1.6GHz VIA Nano® X2 E-Series (with fan) | 1.0GHz VIA Eden® X2 (fanless) |
| Chipset | VIA VX900 Media System Processor | | |
| BIOS | AMI BIOS, 8Mbit Flash memory | | |
| System Memory | 2 DDR3 1066 DIMM sockets Up to 4GB memory size per slot | | |
| Storage | 2 SATA connectors | | |
| Graphics | Integrated VIA C-9 HD DX9 3D/2D graphics with MPEG-2, WMV9, VC-1 and H.264 video decoding acceleration | | |
| LAN | 2 VIA VT6130 PCIe Gigabit Ethernet controllers | | |
| Audio | VIA VT2021 High Definition Audio Codec | | |
| Super I/O | Fintek F81865F-I + F81801 | | |
| Expansion I/O | 1 PCI slot 1 PCIe x1 slot | | |
| Onboard I/O | 2 SATA connectors 2 SATA power connectors (DC-in SKU), 2 SATA DOM power selectors 2 USB 2.0 pin headers for 4 ports 1 Dual-channel 18/24-bit LVDS panel connector 1 Single-channel 18/24-bit LVDS panel connector 6 COM port pin headers (powered with selectable 5V/12V) 1 LPC pin header 1 SMBus pin header 1 S/PDIF-out connector 2 Digital I/O pin headers (8 GPI + 8 GPO) 1 Front audio pin header for Line-out and Mic-in 2 Smart Fan pin headers for CPU and system 1 ATX or DC-in power connector 1 PCI slot 1 PCIe x1 slot | | |
| Back Panel I/O | 4 USB ports 1 HDMI port 1 VGA port 2 COM ports (powered with selectable 5V/12V) 2 Gigabit Ethernet ports 3 Audio jacks: Line-in, Line-out and Mic-in 2 PS/2 keyboard/mouse ports | | |
| Power Supply | ATX power connector or 12V DC-in | | |
| Operating System | Windows 7, WES 7, Windows CE, Linux, POSReady 7 | | |
| System Monitoring & Management | AC power failure recovery, Keyboard power-on, System power management, Timer Power-on, Wake-on-LAN, Watchdog Timer | | |
| Operating Temperature | 0°C ~ 60°C | | |
| Operating Humidity | 0% ~ 95% (non-condensing) | | |
| Form Factor | Mini-ITX (17cm x 17cm, 6.7" x 6.7") | | |
| Compliance | CE/FCC | | |



Back Panel I/O



Accessories



PWB-M120
120W DC-DC power board,
voltage range from 12V~24V



LPC-01/02/04
Up to 4 additional COM ports



EMIO-1533 USB Wi-Fi Module
802.11b/g/n standards

EMIO-5531 USB Wi-Fi + BT Module
802.11b/g/n standards
Bluetooth 2.1 + EDR specification



PCIE-03
PCI & 1-lane PCIe riser card



EXT-PCI
One to two PCI riser card

Ordering Information

| Model Name | CPU Frequency | Description |
|----------------|--------------------------------|--|
| EPIA-M910-12Q | VIA QuadCore E-Series @ 1.2GHz | Mini-ITX Board with 1.2GHz VIA QuadCore E-Series CPU with HDMI, VGA, 2 LVDS, 8 USB 2.0, 8 COM, 2 Gigabit Ethernet, 2 SATA, PCI slot, PCIe x1 slot, ATX power connector |
| EPIA-M910-12PQ | VIA QuadCore E-Series @ 1.2GHz | Mini-ITX Board with 1.2GHz VIA QuadCore E-Series CPU with HDMI, VGA, 2 LVDS, 8 USB 2.0, 8 COM, 2 Gigabit Ethernet, 2 SATA, PCI slot, PCIe x1 slot, 12V DC-in |
| EPIA-M910-16 | VIA Nano® X2 E-Series @ 1.6GHz | Mini-ITX Board with 1.6GHz VIA Nano® X2 E-Series CPU with HDMI, VGA, 2 LVDS, 8 USB 2.0, 8 COM, 2 Gigabit Ethernet, 2 SATA, PCI slot, PCIe x1 slot, ATX power connector |
| EPIA-M910-16P | VIA Nano® X2 E-Series @ 1.6GHz | Mini-ITX Board with 1.6GHz VIA Nano® X2 E-Series CPU with HDMI, VGA, 2 LVDS, 8 USB 2.0, 8 COM, 2 Gigabit Ethernet, 2 SATA, PCI slot, PCIe x1 slot, 12V DC-in |
| EPIA-M910-10E | VIA Eden® X2 @ 1.0GHz | Mini-ITX Board with 1.0GHz VIA Eden® X2 CPU with HDMI, VGA, 2 LVDS, 8 USB 2.0, 8 COM, 2 Gigabit Ethernet, 2 SATA, PCI slot, PCIe x1 slot ATX power connector |
| EPIA-M910-10PE | VIA Eden® X2 @ 1.0GHz | Mini-ITX Board with 1.0GHz VIA Eden® X2 CPU, with HDMI, VGA, 2 LVDS, 8 COM, 8 USB 2.0, 2 Gigabit Ethernet, 2 SATA, PCI slot, PCIe x1 slot, 12V DC-in |

Optional Accessories

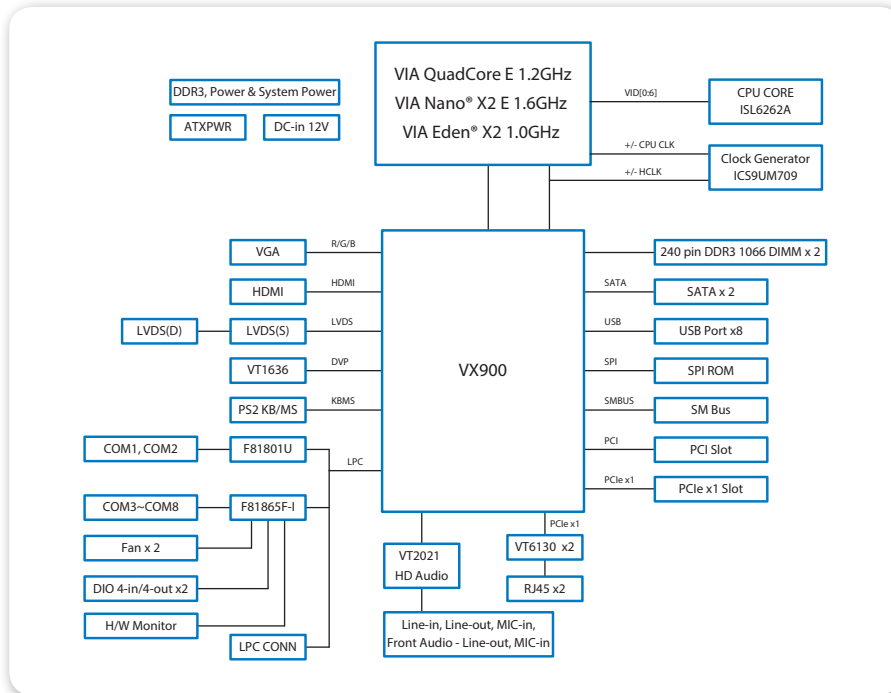
I/O Expansion Cards

| Part Number | Description |
|-------------|--|
| LPC-01 | Expansion module for four COM ports |
| LPC-02 | Expansion module for four COM ports (5V or 12V) |
| LPC-04 | Expansion module for two or four COM ports (5V or 12V) |
| PWB-M120 | 120W DC-DC power board, voltage range from 12V~24V |
| PCIE-03 | PCI & 1-lane PCIe riser card |
| EXT-PCI | One to two PCI riser card |

Wireless Modules

| Part Number | Description |
|----------------|---|
| EMIO-1533-00A2 | VNT9271 IEEE 802.11 b/g/n USB Wi-Fi module with assembly kit and antenna |
| EMIO-5531-00A1 | VAB-820-W IEEE 802.11b/g/n USB Wi-Fi & Bluetooth module with assembly kit and antenna |

Block Diagram



Packing List

| Items |
|---------------------------------------|
| EPIA-M910 board |
| SATA cable |
| SATA power cable (for DC-in sku only) |
| DC power cable (for DC-in sku only) |
| I/O bracket |