



# VIA AMOS-3005

## Fanless Ruggedized Edge Computing System

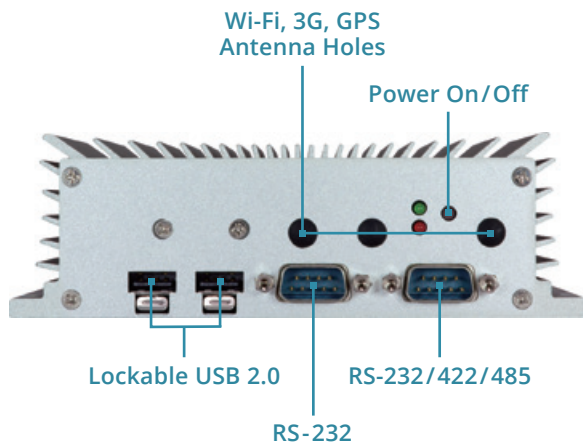


Speed up your commercial and industrial IoT and edge intelligence installations with the VIA AMOS-3005. This compact and ruggedized fanless system is designed to meet the most demanding indoor and outdoor operational requirements and can be customized for a host of smart building management, monitoring and surveillance, remote energy management, and smart kiosk applications. In addition to supporting a wide operating temperature range and a wide voltage input, the VIA AMOS-3005 also offers rich array of networking, connectivity, and I/O features, including dual Gigabit Ethernet, two COM ports, and Wi-Fi and dual 3G SIM card support. Fully compatible with a wide range of Microsoft® Windows® operating systems, including Windows 10 IoT, the system is also Microsoft Azure Certified for IoT – making it the ideal solution for your enterprise edge intelligence requirements.

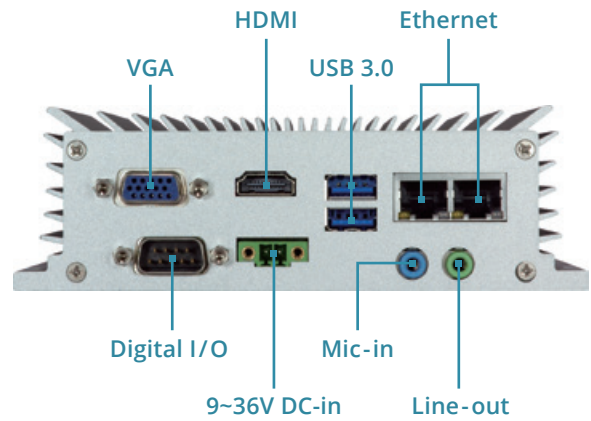
- ◆ High performance fanless ruggedized system
- ◆ Wide input voltage range supporting 9V~36V DC-in
- ◆ Wide operating temperature range from -20°C up to 60 °C
- ◆ Dual Gigabit Ethernet with optional Wi-Fi and dual 3G SIM card support
- ◆ Rich I/O feature set including lockable USB, COM and GPIO
- ◆ Microsoft Azure Certified for IoT



## VIA AMOS-3005 Front Panel



## VIA AMOS-3005 Rear Panel



## VIA AMOS-3005 Specifications

Processor	1.2GHz VIA Eden® X4	
Chipset	VIA VX11 Media System Processor	
BIOS	AMI BIOS, 32Mbit Flash memory	
System Memory	1 DDR3 1333 SDRAM SODIMM socket	Up to 8GB memory size
Storage	Supports 1 mSATA slot	
Graphics	Integrated C-640 DX11 3D/2D graphics with MPEG-2, WMV9, VC1 and H.264 video decoding accelerator	
Audio	VIA VT2021 High Definition Audio Codec	
Display I/O	1 HDMI port 1 VGA port supporting VGA resolutions up to 2048 x 1536 pixels Dual independent VGA + HDMI display at different resolutions, pixel depths, and refresh rates	
USB	2 USB 3.0 ports	2 USB 2.0 ports (lockable USB ports for secure connections)
LAN	2 Realtek RTL8111G PCIe Gigabit Ethernet controllers	
COM	Fintek F71869ED	
Expansion I/O	1 miniPCIe slot	1 SIM slot
Front Panel I/O	2 Lockable USB 2.0 ports 2 COM ports for RS-232/422/485 1 Power on/off button	1 Red LED for HDD activity 1 Green LED for power status 3 Antenna holes for 3G/Wi-Fi
Back Panel I/O	1 HDMI port 1 VGA port 2 USB 3.0 ports 2 Gigabit Ethernet ports	1 DIO port for 8-bit GPIO 2 Audio jacks: Line-out and Mic-in 1 2-pole Phoenix DC jack
Power Supply	9 ~ 36V DC-in (typical: 19W)	
Operating System	Windows 10/8.1/8/7, Win 10 IoT, WES 7, Linux	
VIA Smart ETK	BIOS flash tool, Hardware monitor, Watchdog timer, GPIO, SMBus	
Operating Temperature	-20°C ~ 60°C with qualified industrial grade mSATA	
Operating Humidity	0% ~ 95% (relative humidity; non-condensing)	
Storage Temperature	-20°C ~ 70°C	
Vibration Loading During Operation	With mSATA Flash Drive: 5Grms, IEC 60068-2-64, random, 5 ~ 500Hz, 1hr/axis	
Shock During Operation	With mSATA Flash Drive: 50G, IEC 60068-2-27, half sine, 11ms duration	
Mechanical Construction	Aluminum top chassis housing Metal chassis housing	Dual removable front & rear metal face plate
Mounting	Wall/DIN Rail/VESA mountable	
Dimensions	150.5mm(W) x 48.1mm(H) x 109.8mm(D) (5.93" x 1.89" x 4.32")	
Weight	1.4kg (3.08lbs)	
Compliance	CCC, CE, FCC	