

Industrial Panel Computer

IVTK-PPC-A1001T-G

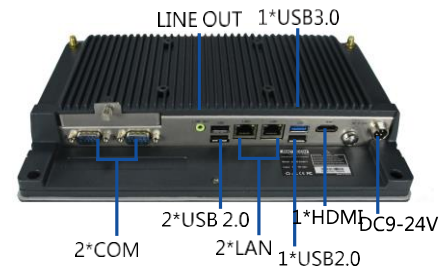
10.1" TFT LCD, Capacitive/Resistive Touch, Intel® Baytrail CPU, 2*LAN, 1*USB3.0



IVTK-PPC-A1001 T-G is a compact, fanless embedded panel computer, powered by Intel® Baytrail-D family Celeron J1900 processor. Supports 10.1 inch 1280*800@60Hz TFT LCD. It offers multiple I/O interface, 1*2.5" easy-pluggable SATA bay and 1*full size mSATA for storage, 1*Mini PCIe socket (PCIe+USB signal) for expansion. It will be fit for application of automation and Warehouse management.

Key Features

- Aluminum die-casting chassis, Fanless design 10.1"
- LED TFT LCD, Capacitive/Resistive touch Intel®
- Baytrail Celeron J1900 CPU
- 1*DDR3L 1333MHz SODIMM, Max 8GB
- 2*Mini PCIe(PCIe+USB and mSATA)
- 2*COM, 2*LAN, 1*USB3.0, 3*USB2.0
- 1*2.5" HDD Bay, 1*mSATA
- 1*HDMI, 2*2W Speaker
- DC 9~24V Power input



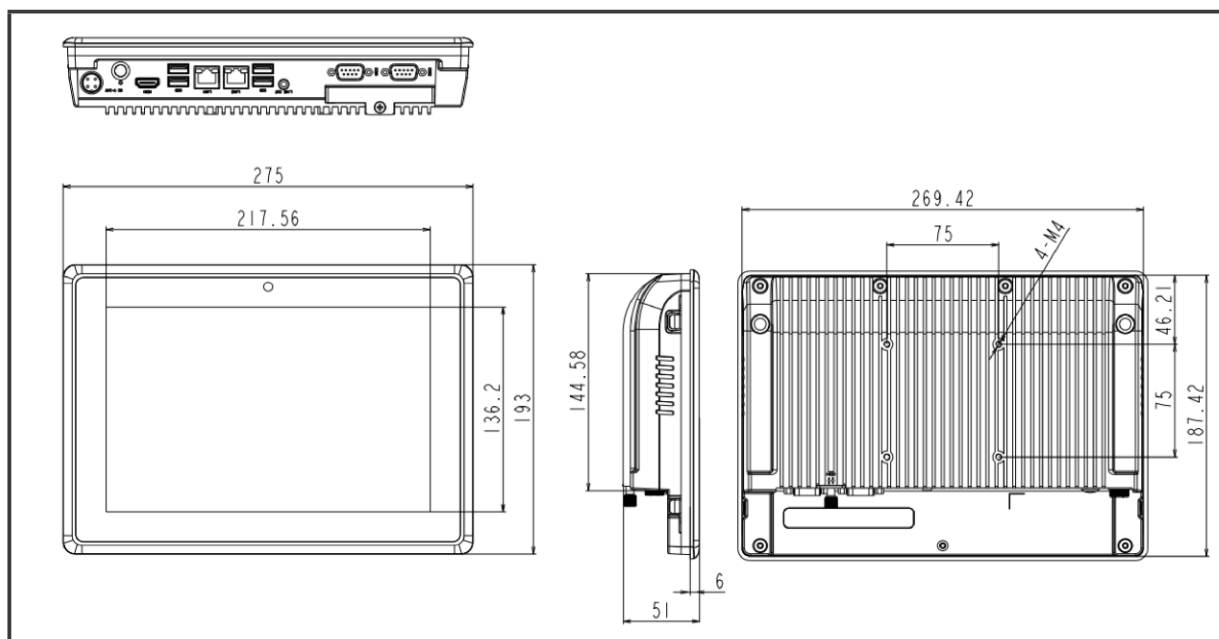
SPEC

System	CPU	Intel® Baytrail Celeron J1900 2.0- 2.42GHz, 4C4T, TDP 10W
	Chipset	Intel® SOC
	System Memory	1*DDR3L 1333MHz SODIMM, Max 8GB
	BIOS	Insyde SPI 64Mbit Flash
	Storage	1*2.5" SATA HDD bay, support SATA3 6Gbps HDD/SSD, 1* mSATA
	Display	10.1" LED TFT LCD and HDMI, dual display, Intel® HD Graphics, support Intel Quick Sync Video
	Touch	5-wire resistive touch optional projected capacitive touch, USB control
	Expansion	1*Mini PCIe full size with PCIe&USB signal; 1*mSATA full size
	Real I/O	2*COM: 1*RS232, 1*RS232/422/485, DB9 connector 1*USB3.0 Type A, 3*USB2.0 Type A 1*HDMI 2*RJ45 Optional 1*5M web camera (Front)
	LAN	Intel I211AT controller, 10/100/1000 Mbps
Audio	Realtek ALC282 Audio codec integrated, 2*2W speaker inside	
Control SW	1*Power button	
Power Supply	DC: 9-24V input, 4-pin M12 connector , consumption: TBD	
OS	Windows 7, Windows 8.1, Linux	
Mechanical & Environmental	Construction	Aluminum die-casting front bezel and chassis, fin-shaped radiator shell
	Operating Temperature	0~50°C HDD, -10~55°C SSD, with airflow
	Storage Temperature	-20~60°C
	Storage Humidity	10~95%@40°C non-condensing
	Shock	10g peak acceleration (duration 1ms), in operating with HDD
	Vibration	1g 5~500Hz, in operating with HDD
	Mounting	Panel mounting, VESA 75*75mm
	Dimension	(W*H*D): 275*193*51mm; mounting cut out (W*H): 271*189mm
	Net Weight	1.9KG
EMC	CE, FCC Class A	

LCD	Type	10.1" TFT LED Backlight	
	Resolution	1280*800	
	Color	16.7M colors	
	Pixel Pitch(mm)	0.1695*0.1695	
	Brightness(cd/m2)	350(SooX), 500(TooX)	
	Viewing Angle	85 Degree(left), 85 Degree(right), 85 Degree(up), 85 Degree(down)	
	Operating Temperature	-20~70°C	
	Backlight Lifetime	15000 Hours(SooX), 50000Hours(TooX)	
Touch	Type	5 wire resistive touch	Projected capacitive touch
	Resolution	gapless	gapless
	Light Transmittance	83%	90%
	Interface	USB	USB
	Consumption	+5V @ 200mA	+5V @ 300mA
	OS	Windows, Linux	Windows, Linux
	Click Lifetime	15 million times	3 billion times

Dimension

Unit : mm



Odering Info.

NO.	Introductions
IVTK-PPC-A1001T/SOO1-G	Industrial Panel Computer, Intel® J1900 CPU, 10.1" TFT LCD, resistive touch, 1*HDMI,2*COM, 4*USB, 2*LAN, 1*Mini PCIe, 1*Audio out, 1*2.5"HDD bay, 1*mSATA, 2*2W speaker, DC 9~24V
IVTK-PPC-A1001T/SOO2-G	Industrial Panel Computer, Intel® J1900 CPU, 10.1" TFT LCD, resistive touch, 1*HDMI,2*COM, 4*USB, 2*LAN, 1*Mini PCIe, 1*Audio out, 1*2.5"HDD bay, 1*mSATA, 2*2W speaker, 1*5M camera, DC 9~24V
IVTK-PPC-A1001T/TOO1-G	Industrial Panel Computer, Intel J1900 CPU, 10.1" TFT 500 nits LCD, resistive touch, 1*HDMI,2*COM, 4*USB, 2*LAN, 1*Mini PCIe, 1*Audio out, 1*2.5"HDD bay, 1*mSATA, 2*2W speaker, DC 9~24V
IVTK-PPC-A1001T/TOO2-G	Industrial Panel Computer, Intel J1900 CPU, 10.1" TFT 500 nits LCD, resistive touch, 1*HDMI,2*COM, 4*USB, 2*LAN, 1*Mini PCIe, 1*Audio out, 1*2.5"HDD bay, 1*mSATA, 2*2W speaker, 1*5M camera, DC 9~24V
IVTK-PPC-A1001T(P)/SOO1-G	Industrial Panel Computer, Intel® J1900 CPU, 10.1" TFT LCD, capacitive touch, 1*HDMI,2*COM, 4*USB, 2*LAN, 1*Mini PCIe, 1*Audio out, 1*2.5"HDD bay, 1*mSATA, 2*2W speaker, DC 9~24V
IVTK-PPC-A1001T(P)/SOO2-G	Industrial Panel Computer, Intel® J1900 CPU, 10.1" TFT LCD, capacitive touch, 1*HDMI,2*COM, 4*USB, 2*LAN, 1*Mini PCIe, 1*Audio out, 1*2.5"HDD bay, 1*mSATA, 2*2W speaker, 1*5M camera, DC 9~24V
IVTK-PPC-A1001T(P)/TOO1-G	Industrial Panel Computer, Intel J1900 CPU, 10.1" TFT 500 nits LCD, capacitive touch, 1*HDMI,2*COM, 4*USB, 2*LAN, 1*Mini PCIe, 1*Audio out, 1*2.5"HDD bay, 1*mSATA, 2*2W speaker, DC 9~24V
IVTK-PPC-A1001T(P)/TOO2-G	Industrial Panel Computer, Intel J1900 CPU, 10.1" TFT 500 nits LCD, capacitive touch, 1*HDMI,2*COM, 4*USB, 2*LAN, 1*Mini PCIe, 1*Audio out, 1*2.5"HDD bay, 1*mSATA, 2*2W speaker, 1*5M camera, DC 9~24V
IVTK-PA-60DC12	AC/DC power adapter, DC12V/5A 60W

