

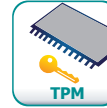


# RPC070-BT



## ► Features

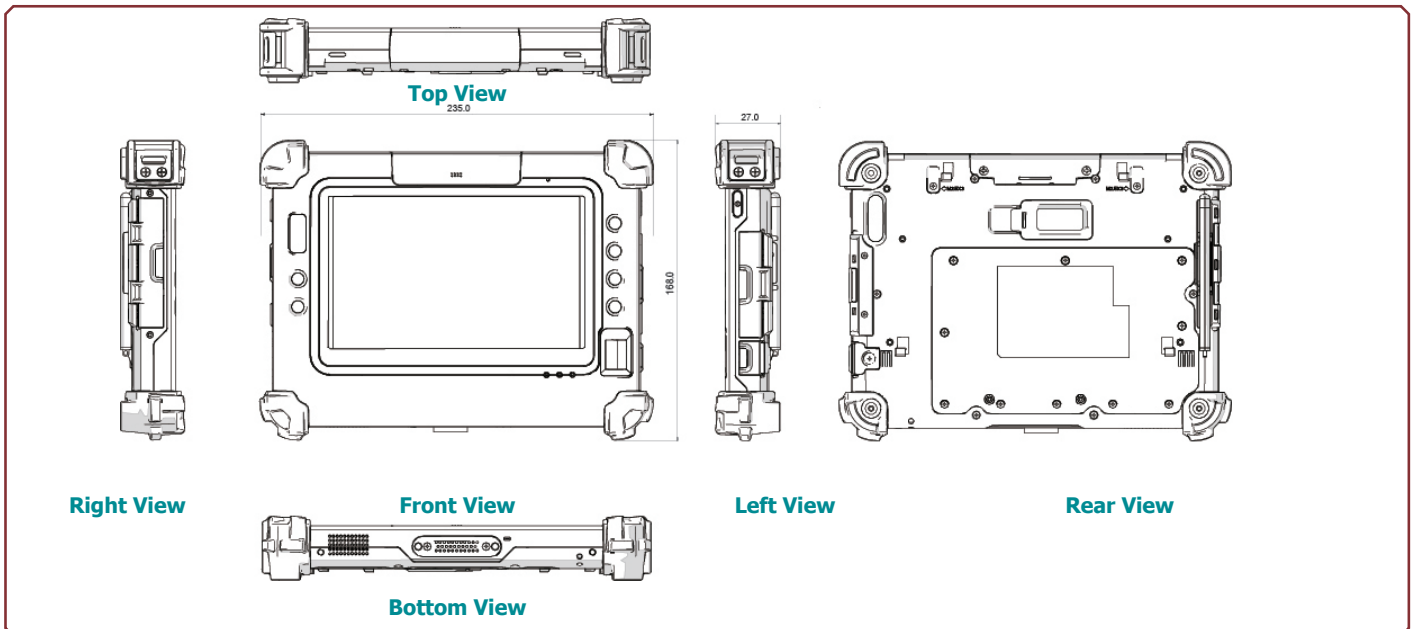
- 7" capacitive multi-touch with Gorilla glass
- 850 nits, Optical Bonding with AR/AF sunlight readable solution
- IP65, MIL-STD-810G, 5-foot drop resistance
- NFC, GNSS, WLAN, WWAN, Bluetooth
- Hot swappable battery design
- Optional fingerprint and MRZ reader



## ► I/O Connectors



## ► Dimensions



## ► Specifications

<b>SYSTEM</b>	<b>Processor</b>	Intel® Celeron N2930 Processor 1.83GHz	
	<b>Memory</b>	4GB/8GB DDR3L Onboard	
<b>DISPLAY AND TOUCH SCREEN</b>	<b>Display</b>	7" WSVGA (1024 x 600), Multiple Capacitive Touch with Gorilla Glass	
	<b>Brightness</b>	850 cd/m <sup>2</sup> , Optical Bonding with AR/AF Solution	
	<b>Sensor</b>	Accelerometer Sensor	Vibrator
		E-Compass Sensor	Light Sensor
	Gyroscope Sensor		
<b>STORAGE</b>	<b>SSD</b>	128GB/256GB SSD Onboard FIPS 140-2 Certified SSD Onboard up to 256GB (optional)	
<b>COMMUNICATION</b>	<b>Wireless</b>	Wi-Fi 802.11 a/b/g/n/ac	GNSS (GPS/GLONASS, optional BeiDou)
		Bluetooth V4.0+EDR	4G LTE (optional)
		NFC RFID 13.56MHz (ISO 14443 A/B, FeliCa)	
<b>CAMERA</b>	<b>Rear Camera</b>	8.0 Mega Pixels, Auto Focus, LED Flash Light	
	<b>Front Camera</b>	2.0 Mega Pixels	
<b>AUDIO</b>	<b>Internal</b>	2 x 0.8W Speaker	
<b>LED</b>	<b>Indicator</b>	1 x Red/Green LED for Power and System Status	
		1 x Blue LED for NFC RFID	
<b>I/O</b>	<b>External</b>	1 x microSD 1 x micro SIM 1 x Earphone & Mic 2 x USB 3.0 Type A 1 x RJ-232 1 x Docking Connector (32-pin) 1 x DC Jack 2D Barcode Reader + MSR 2-in-1 Module (optional) MRZ Reader+ MSR 2-in-1 Module (optional)	
	<b>Buttons</b>	1 x Power Button 1 x Menu Button 1 x Windows Button 4 x Programmable Button	
<b>SECURITY</b>	<b>TPM</b>	TPM 2.0	
		Fingerprint Reader, Capacitive, 508 dpi (optional) Janus USB Ignition Key, Phoenix SecureWipe (optional)	
<b>POWER</b>	<b>AC/DC Adapter</b>	100~240V AC 50/60Hz 0.8A	
	<b>Battery</b>	2900mAh (standard) 4200mAh (optional Hot Swappable Battery)	
<b>OS SUPPORT</b>		Windows 10 IoT Enterprise Window Embedded 8.1 Industry Pro	
<b>MECHANISM</b>	<b>IP Rating</b>	IP65 Protection	
	<b>Dimensions ( W x H x D )</b>	225mm x 168mm x 270mm (8.9" x 6.6" x 1.1")	
	<b>Weight</b>	950 g	
<b>ENVIRONMENT</b>	<b>Operating Temperature</b>	-20 to 50°C	
	<b>Storage Temperature</b>	-30 to 70°C	
	<b>Charging Temperature</b>	0 to 40°C	
	<b>Relative Humidity</b>	5 to 95% RH (non-condensing)	
<b>STANDARDS AND CERTIFICATIONS</b>	<b>Drop</b>	5ft Drop Tested	
	<b>Certification</b>	CE, FCC, MIL-STD-810G	

## ► Packing List

- 1 RPC070-BT Tablet
- 1 Power Adapter
- 1 Hand Strap
- 1 Shoulder Strap
- 1 Handle