

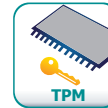


# RPC101-BT



## ► Features

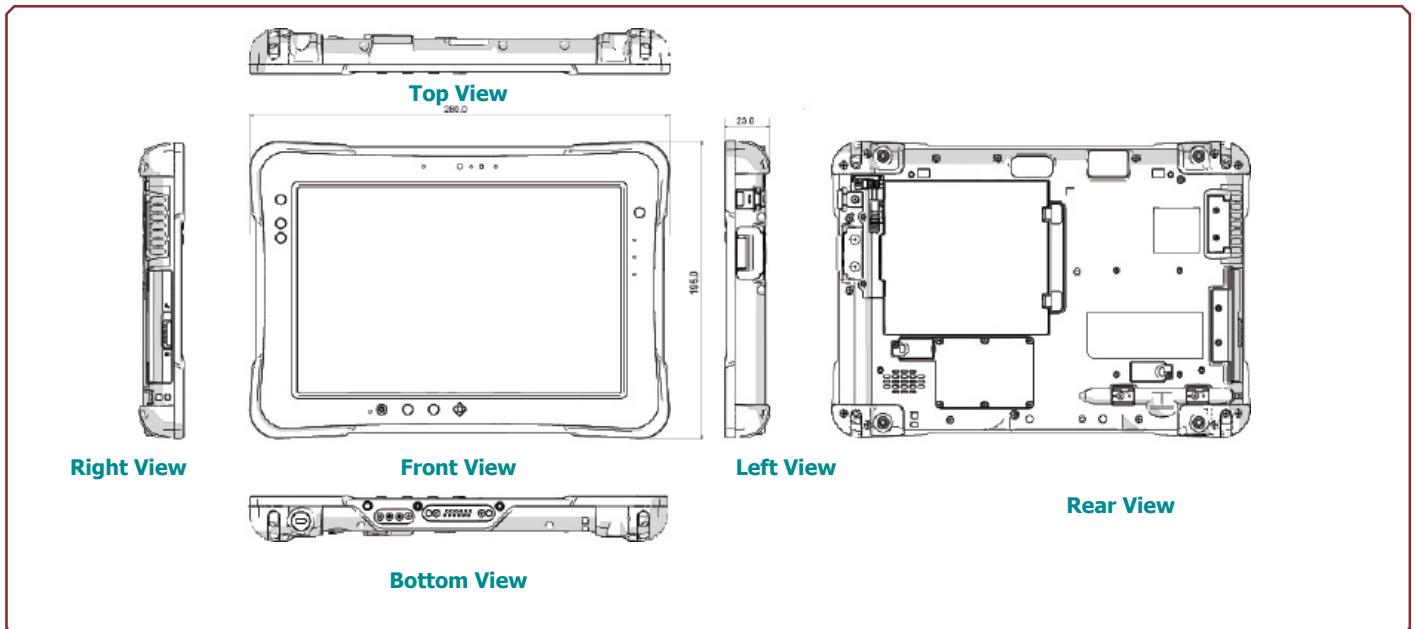
- IP65, MIL-STD-810G, 5-foot drop resistance
- 1000 nits sunlight readable display
- Capacitive touch supports glove touch, 2mm hard tip stylus; digitizer by request
- GNSS, Wi-Fi, Bluetooth and optional 4G LTE
- Hot swappable battery design
- Optional fingerprint and MRZ reader
- Dual pass-through connector for WLAN, GNSS, WWAN



## ► I/O Connectors



## ► Dimensions



## ► Specifications

<b>SYSTEM</b>	<b>Processor</b>	Intel Atom® E3827 Processor 1.75GHz
	<b>Memory</b>	4GB/8GB DDR3L Onboard
<b>DISPLAY AND TOUCH SCREEN</b>	<b>Display</b>	10.1" WUXGA (1920 x 1200) TFT LCD, Multiple Capacitive Touch with Gorilla Glass
	<b>Brightness</b>	1000 cd/m <sup>2</sup>
	<b>Sensor</b>	Accelerometer Sensor E-Compass Sensor Gyroscope Sensor
		Vibrator Light Sensor
<b>STORAGE</b>	<b>SSD</b>	128GB/256GB mSATA SSD 32GB mSATA SSD (support Android OS only)
<b>COMMUNICATION</b>	<b>Wireless</b>	Wi-Fi 802.11 a/b/g/n/ac Bluetooth V4.0+EDR GNSS (GPS/GLONASS, BeiDou)
		4G LTE (optional) NFC RFID 13.56MHz (optional)
<b>CAMERA</b>	<b>Rear Camera</b>	5.0 Mega Pixels, Auto Focus, LED Flash Light
	<b>Front Camera</b>	2.0 Mega Pixels
<b>AUDIO</b>	<b>Internal</b>	2 x 0.8W Speaker
<b>LED</b>	<b>Indicator</b>	1 x Red/Green LED for Power and System Status 1 x Blue LED for NFC RFID
<b>I/O</b>	<b>External</b>	1 x microSD 1 x micro SIM 1 x micro HDMI 1 x Earphone & Mic 1 x USB 2.0 Type A 1 x USB 3.0 Type A 1 x RJ-232 1 x GbE (RJ-45) 2 x RF Pass-through Connector for WLAN/ GNSS/ WWAN 1 x Docking Connector (12-pin) 1 x DC Jack NFC + Smart Card Reader 2-in-1 Module (optional) Built-in 2D Barcode Reader (optional)
	<b>Buttons</b>	1 x Power Button 1 x Home Button 1 x Volume Button 1 x Barcode Trigger 3 x Programmable Button
<b>SECURITY</b>	<b>TPM</b>	TPM 1.2 Janus USB Ignition Key, Phoenix SecureWipe (optional)
<b>POWER</b>	<b>AC/DC Adapter</b>	100~240V AC 50/60Hz 0.8A
	<b>Battery</b>	4500mAh (standard Hot Swappable Battery) 9000mAh (optional Hot Swappable Battery)
<b>OS SUPPORT</b>		Windows 7 Windows 10 IoT Enterprise Android 5.1 (optional)
<b>MECHANISM</b>	<b>IP Rating</b>	IP65 Protection
	<b>Dimensions ( W x H x D )</b>	280mm x 195mm x 230mm (11" x 7.7" x 0.9")
	<b>Weight</b>	1330 g
<b>ENVIRONMENT</b>	<b>Operating Temperature</b>	-20 to 50°C
	<b>Storage Temperature</b>	-30 to 70°C
	<b>Charging Temperature</b>	0 to 40°C
	<b>Relative Humidity</b>	5 to 95% RH (non-condensing)
<b>STANDARDS AND CERTIFICATIONS</b>	<b>Drop</b>	5ft Drop Tested
	<b>Certification</b>	CE, FCC, MIL-STD-810G

## ► Packing List

- 1 RPC101-BT Tablet
- 1 Power Adapter
- 1 Hand Strap
- 1 Shoulder Strap
- 1 Handle
- 1 Stylus