

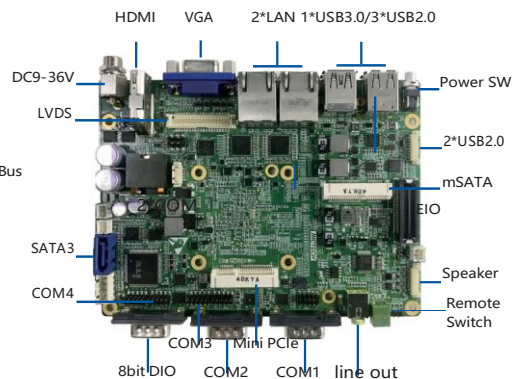
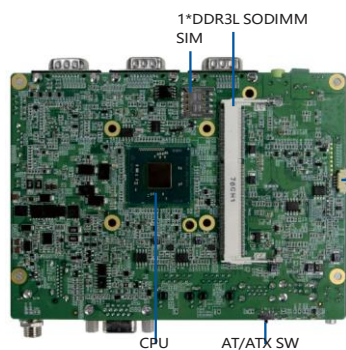
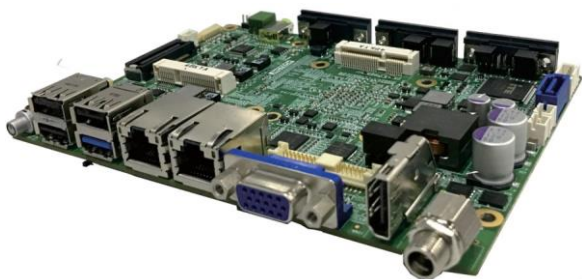
## Embedded Single Board

# IVTK-ESB-I715

Intel® Celeron J1900 CPU, 2\*LAN, 5\*USB, 4\*COM, three displays, Mini PCIe and EIO, DC-IN 9~36V, CPU Temp.show in LED. Easy to structured product design.

### Key Features

- Intel® Baytrail Celeron J1900 2.0-2.42G CPU
- 1\*DDR3L 1333MHz SODIMM, Up to 8GB
- 2\*Intel® I211-AT PCIe Gig LAN
- 1\*HDMI, 1\*VGA and 1\*48 bit LVDS
- 1\*USB3.0, 5\*USB2.0, 4\*COM, 8 bit DIO
- Realtek ALC662VD High Definition Audio , 2\*3W speakers
- 1\*Mini PCIe(PCleX1+USB), EIO Express bus
- 1\*SATA2 3.0Gbps, 1\*mSATA
- DC 9~36V wide power input

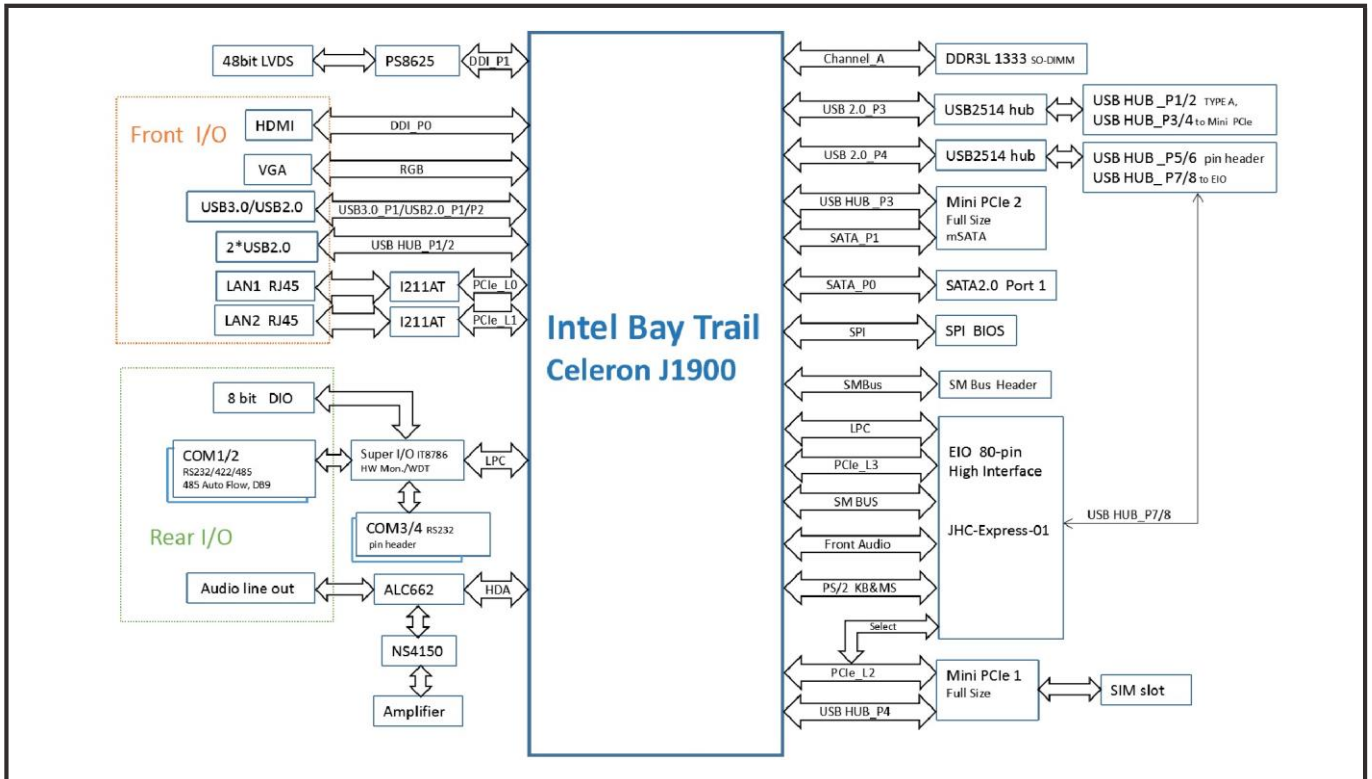


### SPEC.

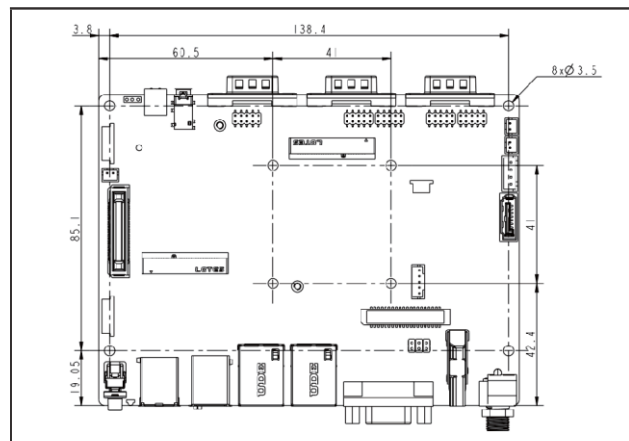
System	CPU	Intel® Celeron J1900 , 2.0~2.42GHz, 4 cores, 4 threads, 2M cache, 22nm, TDP 10W
	System Memory	1*DDR3L 1333MHz SODIMM, up to 8GB
	Expansion	1*Full size Mini PCIe with PCIe X1 and USB with SIM slot, support 4G LTE/Wifi/BT ect. ; 1*Full size mSATA with USB2.0; 1*JHC-Express-01 EIO(PCie,USB2.0,LPC,SMBus, PS2)
	Graphics	Gen7Intel® HDGraphics.TheMaxresolution,VGA:1920*1200@60Hz;HDMI:1920*1080@60Hz; 48bit LVDS:1920*1200@60Hz. Support OpenGL3.2, DirectX11, OpenCL1.2, MPGE2/H.264
	Audio	Realtek ALC662VD High Definition Audio, support 5.1 channel
	LAN	2*Intel® I211-AT PCIe Gigabit Ethernet , Integrated 10/100/1000M
	Keyboard & Mouse	USB Keyboard and mouse, optional Ps2 connector (In EIO )
	Storage	1*SATA2, support 3.0Gbps HDD/SSD; 1*Full size mSATA, support AHCI
	DIO	8 bit TTL single, programmable input and output
	Internal I/O	2*USB2.0pinheader;2*RS232pinheader1*48bitLVDS;1*SMBus;2*Channelspeakers;1*80-pinEIO
	Rear I/O	2*RJ45 LAN with LED (Front) 1*USB3.0 Type A, 3*USB2.0 Type A (Front) 1*8 bit DIO (Rear DB9,optional 2*5pin connector) 2*RS232/422/485 COM (Rear DB9, optional 2*5pin connector) 1*HDMI and 1*VGA (Front);1*Line-out 3.5mm phonejack (Rear) 1*2pin connector with power switch single(Rear)
	LED	1*Power LED, 1*HDD LED, 3*CPU temperature LED(Red is warning; Yellow is high; Green is normal)
	Control SW	1*Power button(Front), 1*2pin terminal w/ power switch signal(Rear), 1*AT/ATX Select dip(Front)
	Power Supply	DC 9~36V, D-Jack w/ M8 connector(Front), short circuit, overvoltage and overcurrent pro. Con. TDP: 12V/1.1A(2.5"HDD)
Watchdog Timer	Watchdog timeout programmable via software from 1 to 255 seconds	
OS Support	Windows 7, Windows 8.1, Windows 10, Linux Fedora Ubuntu.	

<b>Mechanical &amp; Environmental</b>	Dimension	(W*H):146*108mm
	Height	Top Side: 16.5mm; Bottom Side: 5.2mm; PCB: 1.6mm
	Operating Temperature	0°C~60°C
	Storage Temperature	-40°C~85°C
	Storage Humidity	10~90%@40°C, Non-condensing
	Certification/EMC	CE/FCC Class A

## Block Diagram



## Dimension



Unit:mm

## Ordering Info.

Model NO.	Introduction
IVTK-ESB-I715/S001	Embedded Single Board, Intel® J1900 CPU, 2*LAN, 1*USB3.0, 5*USB2.0, 4*COM, 8bit DIO, 1*HDMI, 1*VGA, 1*LVDS, Audio, 1*SMBus, 1*Mini PCIe, 1*EIO, 1*mSATA, 1*SATA2, DC 9~36V
IVTK-ESB-I715/T001	Embedded Single Board, Intel® J1900 CPU, 2*LAN, 1*USB3.0, 5*USB2.0, 4*COM, 8bit DIO, 1*HDMI, 1*VGA, Audio, 1*SMBus, 1*Mini PCIe, 1*mSATA, 1*SATA2, DC 9~36V