

Fanless Embedded Box Computer

IVTK-BC-2602

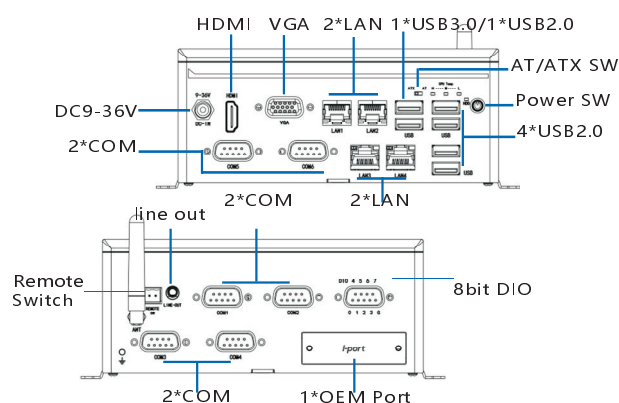
Intel Celeron J1900 CPU, 4*LAN, 7*USB, 6*COM, HDMI and VGA, DC-IN 9~36V, CPU Temp. show in LED



Compact dimension box computer IVTK-BC-2602, PCB to PCB mult structure and fanless design. Powered by Intel Celeron J1900 2.0-2.42GHz 4cores 4threads processor, DDR3L 1333MHz SODIMM memory up to 8GB. 4 Gig. LAN, 1*USB3.0, 6*USB2.0(1 inside), HDMI and VGA dual display, 8bit DIO, 1*Mini PCIe, 1*mSATA and 1*2.5" SATA bay. DC 9-36V wide power input, Operating temperature showing in LED, economic and reliable, it will be fit for lot terminal and manufacture application.

Key Features

- Compact Aluminum Chassis, Fanless Design
- Intel Baytrail Celeron J1900 2.0-2.42G CPU
- 1*DDR3L 1333MHz SODIMM, Up to 8GB
- 4*Intel I211-AT PCIe Gig. LAN
- 1*HDMI and 1*VGA, Audio Line out
- 1*USB3.0, 6*USB2.0, 6*COM, 8 bit DIO
- 1*Mini PCIe(PCle+USB), 1*Mini PCIe(SATA+USB)
- 1*2.5" SATA2 Bay and 1*mSATA
- DC 9~36V Wide Power Input



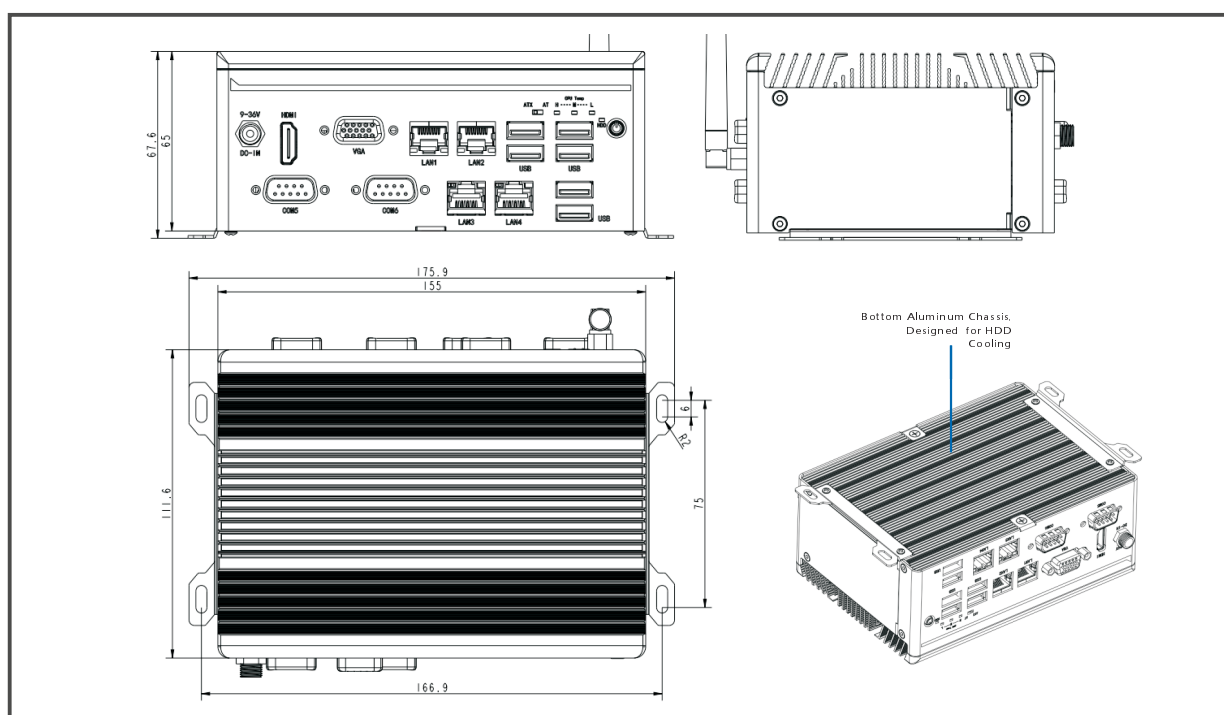
SPEC.

System	CPU	Intel Baytrail-D Celeron J1900, 2.0~2.42GHz, 4cores, 4threads, 2M cache, 22nm, TDP 10W
	System Memory	1*DDR3L 1333MHz SODIMM, Up to 8GB
	Expansion	1*Full size Mini PCIe with PCIe X1(4LAN Non PCIe) and USB with SIM slot, support 4G LTE /Wifi/BT etc.; 1*Full size Mini PCIe with USB+SATA3 signal use to be mSATA
	Graphics	Intel HD Graphics, VGA resolution 1920*1200@60Hz, HDMI resolution 1920*1080@60Hz, Dual independent display, Support OpenGL 3.2, DirectX 11, OpenCL 1.2, MPGE2/H.264
	Audio	Realtek ALC662 HD Audio, 5.1 sound channel, Inside 3W left/right amplify speaker header
	LAN	4*Intel I211AT PCIe Gigabit Ethernet, Integrated 10/100/1000M transceiver
	KB & MS	USB keyboard and mouse
	Storage	1*2.5" HDD bay, SATA2 3.0Gbps, cooling by aluminum cover; 1*mSATA full size, dual AHCI
	DIO	8 bit TTL signal, Programmable input and output
	I-port	Optional 1*USB2.0 or Mini PCIe module I/O ports (such as CAN Bus, Gig LAN etc.)
	I/O Ports	4*RJ45 LAN with LED (Front); 1*USB3.0 Type A and 5*USB2.0 Type A(Front), 1*USB2.0 Type A (Inside); 1*DB9 connector 8bit DIO (Rear); 2*RS232/422/485 and 2*RS232 Db9 connector(Rear), 2*RS232/485 Db9 (Front); 1*HDMI and 1*VGA(Front); 1*Line-out, 3.5mm phone jack(Rear); 1*2pin terminal connector, with power sw signal(Rear)
	LED	1*Power on LED, 1*HDD Run LED, 3*CPU temp. LED(Red: High, Yellow: Typical, Green: Low)
	Control SW	1*Power sw(Front), 1*2pin term. power sw (Rear), 1*AT/ATX Select dip(Rear)
Power Supply	DC 9~36V Input, D-Jack with M8 screw (Front); Consumption: TBD 12/1.2A(2.5" HDD)	
Watchdog Timer	Watchdog timeout programmable via software 1 to 255 second	
OS Support	Windows 7, Windows 8.1, Windows 10, Linux Fedora Ubuntu	

Mechanical	Structure	Top/bottom Aluminum Chassis, SGCC frame
	Color	Silvery
	Mounting	Desktop and VESA 100*100mm mounting
	Dimension	(W*H*D): 155*111.8*65mm
	Net Weight	1.30kg
Environmental	Operating temperature	-20°C ~ 65°C – Fanless with wide operating temp. SSD, Airflow -10°C ~ 55°C – Fanless with HDD, Airflow
	Storage temperature	-40°C~85°C
	Storage humidity	10~90%@40°C, Non-condensing
	Vibration	5 grms/5~500Hz/random/in working(SSD); 1 grms/5~500Hz/random/in working(HDD)
	Shock	50g peak acceleration(11ms duration)(SSD); 20g peak acceleration(11ms duration)(HDD)
	EMC	CE/FCC Class A

Dimension

Unit: mm



Ordering Info.

Model NO.	Introduction
IVTK-BC-2602/S001	Fanless Embedded Box Computer, Intel J1900 CPU, 2*LAN, 1*USB3.0, 6*USB2.0, 6*COM, 8bit DIO, 1*HDMI, 1*VGA, Audio out, 2*Mini PCIe, 1*I-port, 1*2.5" HDD bay, DC 9~36V
IVTK-BC-2602/S002	Fanless Embedded Box Computer, Intel J1900 CPU, 4*LAN, 1*USB3.0, 6*USB2.0, 6*COM, 8bit DIO, 1*HDMI, 1*VGA, Audio out, 1*Mini PCIe, 1*I-port, 1*2.5" HDD bay, DC 9~36V
IVTK-BC-2602/T001	Fanless Embedded Box Computer, Intel J1900 CPU, 2*LAN, 1*USB3.0, 4*USB2.0, 4*COM, 8bit DIO, 1*HDMI, 1*VGA, Audio out, 2*Mini PCIe, 1*I-port, 1*2.5" HDD bay, DC 9~36V
IVTK-PA-60DC12	AC/DC power adapter, DC 12V/5A 60W

*All specifications and photos are subject to change without notice.
<http://www.pcindustrial.com> © 2019 Invitek.S.L. All rights reserved.