

GPU Box Computer

IVTK-BC-7302

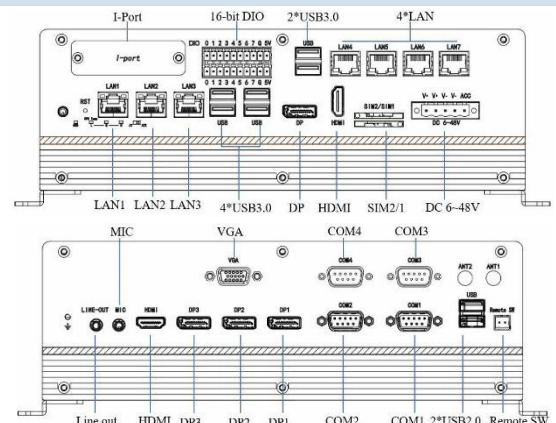
Intel® Skylake-S/Kabylake-S Core I3/I5/I7 CPU, 7*LAN, 6*USB3.0, MXM3.1 GPU 6*4K display, iVpro technology, DC-IN 6~48V



IVTK-BC-7302 is a high performance GPU Box Computer, CPU and GPU fan cooling by independent air passage. It powered by all kinds of Intel Skylake® -S/Kabylake-S CPU, DDR4 2133/2400MHz dual channel memory up to 32GB. DP1.2+HDMI1.4b dual 4K Intel HDG display, 3*DP+1*HDMI GPU display. 3/7*Intel LAN, 6*USB3.0, 1*Mini PCIe and 1*M.2 support 4G and Wifi/BT. The 2*2.5" SATA HDD/SSD support RAID0/1. With DC6-48V wide power input, high performance and multi IO, it is application for Intelligent AI, Video Security and Machine Vision.

Key Features

- CPU and GPU fan cooling, independent air passage
- Intel® Kabylake-S/Skylake-S Core I3/I5/I7 CPU 2*DDR4
- 2400/2133MHz SODIMM, Up to 32GB
- 1*MXM 3.1 socket, support NVIDIA/AMD GPU Intel
- 1*DP+1*HDMI+1*VGA, GPU 3*DP+1*HDMI 3/7*LAN,
- 6*USB3.0, 3*USB2.0, 4*COM, 16DIO, Audio
- 1*Mini PCIe (PCIe+USB), 1*M.2 2242 B-Key
- 1*mSATA, 1/2*2.5" SATA, support Raid0, 1 Support Intel®
- iVpro and TPM2.0
- DC 6~48V Wide Power Input



SPEC.

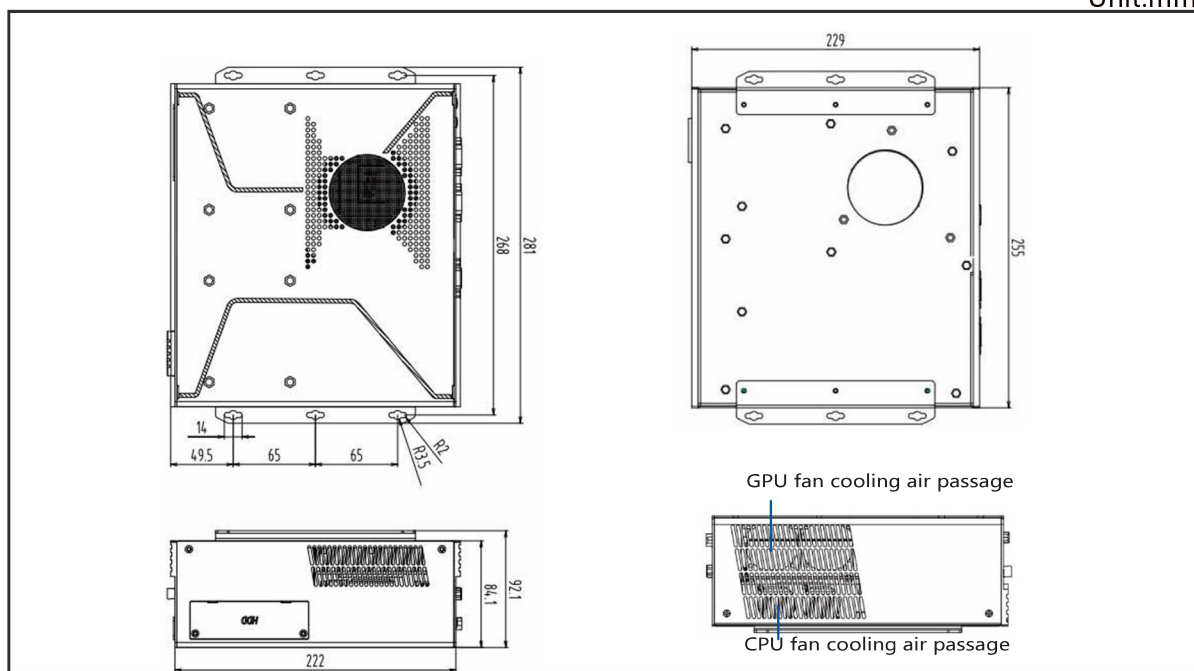
System	CPU	Gen. 6th Intel® Skylake-S/gen.7th Intel® Kabylake-S Celeron/Pentium/Core I3/I5/I7 CPU, LGA 1151 socket , all degree of consumption: TDP 35W/54W/65W/91W
	System Memory	2*260-Pin SODIMM, dual channel DDR4 2133/2400MHz, up to 32GB
	Expansion	1*Full size Mini PCIe with PCIe +USB signal and SIM slot, 1*M.2 2242 B-key with PCIeX1+SATA3+USB signal, 1*Full size mSATA (SATA3+USB), support 4G LTE and Wifi/BT wireless module
	Intel Graphics	Gen. 9th Intel® HD Graphics, HEVC/H265 HW HD en/decoder, DP1.2 max. res. 4096*2304@60Hz, HDMI1.4b max. res. 3840*2160@30Hz, VGA max. res. 2650*1600@60Hz, 3 independent display
	GPU	MXM3.1 NVIDIA GTX/AMDRX series GPU module, support 3*DP1.2/1.3 and 1*HDMI1.4b/2.0 4K/5K display
	Audio	Realtek ALC662VD controller, Audio out and MIC
	LAN	6*Intel I210AT PCIe Gig. Ethernet, 10/100/1000Mbps ; 1*Intel I219LM PCIe Gig. Ethernet
	Storage	1/2*2.5" HDD/SSD bay, dual SATA 6.0Gbps support RAID0/1; 1*mSATA; 1*M.2 2242 B-key
	DIO	16 bit TTL signal, programmable input and output
	I-port	Optional 1*LPT, 2*USB2.0 or Mini PCIe and M.2 I/O ports (such as serial ports)
	I/O ports	3/7*RJ45 Gig-LAN (Front) 4/6*USB3.0 Type A (Front); 2*USB2.0 Type A (Rear), 1*USB2.0 Type A (Inside) 16 bit DIO 2*10-pin terminal (Front) 2*RS232/422/485 DB9 (Rear), 2*RS232 DB9 (Rear) 1*Audio-out and 1*MIC, 3.5mm phone jack (Rear) 1*HDMI +1*DP+1*VGA (Front); 3*DP+1*HDMI (Rear)
	LED	1*Power LED, 1*HDD LED, 3*CPU term. LED (Red is warning, Yellow is high, Green is normal)
	Control SW	1*Power button, 1*Reset button (Front); 2-pin ter. power-on signal (Rear), 1*AT/ATX Select dip (Front)
	Power Supply	DC 6~48V Input, 5-pin ter. connector (Front), Consumption: 24V/6A (51W CPU+78W GPU)
	Watchdog Timer	Watchdog timeout programmable via software 1 to 255 second
OS Support	Windows 7, Windows 10, Linux Fedora Ubuntu	

* All specifications and photos are subject to change without notice.

Mechanical	Structure	SGCC chassis, Aluminum frame
	Color	Silver and Black
	Mounting	Desktop Mounting
	Dimension	(W*H*D) : 255*222*84.1mm
	Net weight	4.62kg
Environmental	Operating temperature	-10°C ~ 50°C, 65W CPU+78W GPU -10°C ~ 40°C, 91W CPU+120W GPU
	Storage Temperature	-40°C~85°C
	Storage Humidity	10~90%@40°C, Non-condensing
	Vibration	5grms/5~500Hz/ random/in working(SSD); 1grms/5~500Hz/random/in working(HDD)
	Shock	50g peak acceleration(1ms duration)(SSD); 20g peak acceleration(1ms duration)(HDD)
	Certification/EMC	CE/FCC Class A

Dimension

Unit:mm



Ordering Info.

Model No.	Introduction
IVTK-BC-7302 /S001	GPU Box Computer, Intel® Skylake-S/Kabylake-S LGA1151 CPU, MXM3.1 GPU, 3*LAN, 4*USB3.0, 3*USB2.0, 4*COM, 1*M.2, 1*Mini PCIe, 2*HDMI, 4*DP, 1*VGA, Audio, 1*I-port, 2*2.5" SATA bay, 1*mSATA, DC 6~48V
IVTK-BC-7302 /S002	GPU Box Computer, Intel® Skylake-S/Kabylake-S LGA1151 CPU, MXM3.1 GPU, 7*LAN, 6*USB3.0, 3*USB2.0, 4*COM, 16 bit DIO, 1*M.2, 1*Mini PCIe, 2 *HDMI, 4*DP, 1*VGA, Audio, 1*I-port, 1*2.5" SATA bay, 1*mSATA, DC 6~48V
IVTK-GRA-NVIDIA GTX 1050TI	MXM3.1 Type A, NVIDIA GTX 1050TI, GDDR5 4GB, 128bit, 768 cuda cores
IVTK-GRA-NVIDIA GTX 1070	MXM3.1 Type B, NVIDIA GTX 1070, GDDR5 8GB, 256bit, 2048 cuda cores
IVTK-GRA-AMD RX 480-4GB	MXM3.1 Type B, AMD RX 480, GDDR5 4GB, 256bit, 2304 cuda cores
IVTK-PA-220DC24	AC/DC power adapter, DC 24V/9.17A 220W